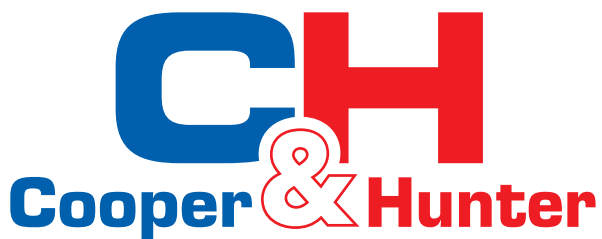


**EN**

# Owner's Manual



## Dehumidifier



**MODEL: CH-D005WD2-12LD  
CH-D008WD2-16LD**

Thank you for choosing our product.  
For proper operation, please read and keep this manual carefully.  
Designed by Cooper&Hunter International Corporation, Oregon, USA  
[www.cooperandhunter.com](http://www.cooperandhunter.com)

# Content

## Operation Notices

---

- The Refrigerant .....1
- Safety Precautions.....2
- Operation Area.....3
- Parts Name.....4
- Check Before Operation.....5

## Operation Instructions

---

- Operation Method.....6
- Drainage Option .....8

## Maintenance

---

- Clean and Maintenance .....11

## Malfunction

---

- Troubleshooting.....13
- Error Codes .....15

### **Note:**

Graphics in this manual are only for reference. Please refer to actual products for specific details.

This appliance is not intended for use by persons (including children) with reduced physical, sensory or mental capabilities, or lack of experience and knowledge, unless they have been given supervision or instruction concerning use of the appliance by a person responsible for their safety.

Children should be supervised to ensure that they do not play with the appliance.



This marking indicates that this product should not be disposed with other household wastes throughout the EU. To prevent possible harm to the environment or human health from uncontrolled waste disposal, recycle it responsibly to promote the sustainable reuse of material resources. To return your used device, please use the return and collection systems or contact the retailer where the product was purchased. They can take this product for environmental safe recycling.

## Explanation of Symbols



**DANGER**

Indicates a hazardous situation that, if not avoided, will result in death or serious injury.



**WARNING**

Indicates a hazardous situation that, if not avoided, could result in death or serious injury.



**CAUTION**

Indicates a hazardous situation that, if not avoided, may result in minor or moderate injury.

**NOTICE**

Indicates important but not hazard-related information, used to indicate risk of property damage.



Indicates a hazard that would be assigned a signal word **WARNING** or **CAUTION**.

## Exception Clauses

**Manufacturer will bear no responsibilities when personal injury or property loss is caused by the following reasons.**

1. Damage the product due to improper use or misuse of the product;
2. Alter, change, maintain or use the product with other equipment without abiding by the instruction manual of manufacturer;
3. After verification, the defect of product is directly caused by corrosive gas;
4. After verification, defects are due to improper operation during transportation of product;
5. Operate, repair, maintain the unit without abiding by instruction manual or related regulations;
6. After verification, the problem or dispute is caused by the quality specification or performance of parts and components that produced by other manufacturers;
7. The damage is caused by natural calamities, bad using environment or force majeure.



Appliance filled with flammable gas R290.



Before install and use the appliance, read the owner's manual first.



Before install the appliance, read the installation manual first.



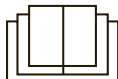
Before repair the appliance, read the service manual first.

## The Refrigerant

- To realize the function of the air conditioner unit, a special refrigerant circulates in the system. The used refrigerant is the fluoride R290, which is specially cleaned. The refrigerant is flammable and inodorous. Furthermore, it can lead to explosion under certain conditions.
- Compared to common refrigerants, R290 is a nonpolluting refrigerant with no harm to the ozone layer. The influence upon the greenhouse effect is also lower. R290 has got very good thermodynamic features which lead to a really high energy efficiency. The units therefore need a less filling.
- Please refer to the nameplate for the charging quantity of R290.

### WARNING :

- Appliance filled with flammable gas R290.
- Appliance shall be installed, operated and stored in a room with a floor area larger than 4 m<sup>2</sup>.
- The appliance shall be stored in a room without continuously operating ignition sources . (for example: open flames, an operating gas appliance or an operating electric heater.)
- The appliance shall be stored in a well-ventilated area where the room size corresponds to the room area as specified for operation.
- The appliance shall be stored so as to prevent mechanical damage from occurring.
- Keep any required ventilation openings clear of obstruction.
- Do not pierce or burn.
- Be aware that refrigerants may not contain an odour.
- Do not use means to accelerate the defrosting process or to clean, other than those recommended by the manufacturer.
- Servicing shall be performed only as recommended by the manufacturer.
- Should repair be necessary, contact your nearest authorized Service Centre. Any repairs carried out by unqualified personnel may be dangerous.
- Compliance with national gas regulations shall be observed.
- Read specialist's manual.



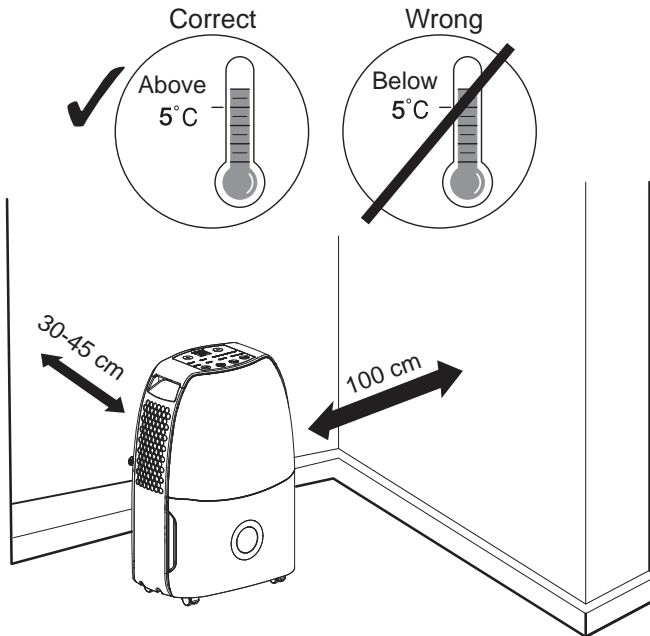


## Safety Precautions

- This appliance can be used by children aged from 8 years and above and persons with reduced physical, sensory or mental capabilities or lack of experience and knowledge if they have been given supervision or instruction concerning use of the appliance in a safe way and understand the hazards involved.
- Children shall not play with the appliance.
- Cleaning and user maintenance shall not be made by children without supervision.
- Before operation, please check the power cord if it complies with the requirement indicated on the nameplate.
- Before cleaning, please turn it off and unplug the dehumidifier.
- Make sure the power cord is not pressed by any hard object.
- Do not remove the power plug or move unit by pulling the power cord.
- Do not use any heating application near the dehumidifier.
- Do not remove the power plug in wet hands.
- Please use grounded power cord and make sure it's well connected and not damaged.
- Children and disabled people are not allowed to use the dehumidifier without supervision.
- Keep children from playing or climbing on the dehumidifier.
- Do not place the dehumidifier under dripping objects.
- Memory function is included in this dehumidifier. When nobody is taking care of the unit, please turn it off and remove the power plug or disconnect power.
- Do not repair or disassemble the unit by yourself.
- If the supply cord is damaged, it must be replaced by the manufacturer, its service agent or similarly qualified persons in order to avoid a hazard.
- If abnormal condition occurs (e.g. burned smell), please disconnect power at once and then contact local dealer.
- Dehumidifier can not be disposed of everywhere. If you want to get rid of this dehumidifier, please check with local handling disposal or information service center about what to do.
- Do not use an extension cord.
- The appliance shall be installed in accordance with national wiring regulations.
- Prohibit operating the unit in the bathroom or laundry room.

## Operation Area

- This dehumidifier is intended for indoor residential applications only. It should not be used for commercial or industrial applications.
- Place the dehumidifier on a smooth and level floor.
- A dehumidifier operating indoors will have no effect in drying an adjacent enclosed area, such as a closet.
- Place the dehumidifier in an area where the temperature will not be below 5°C or above 35°C.
- Allow at least 30-45 cm of air space on all sides of the unit. The place with a draught leaves the distance of the wall as 100 cm.
- Close all doors, windows and other outside openings of the room to improve the working effect.
- Please keep the air inlet/outlet clean and not blocked.
- Do not use a dehumidifier in a bathroom.
- Avoid direct sunlight.

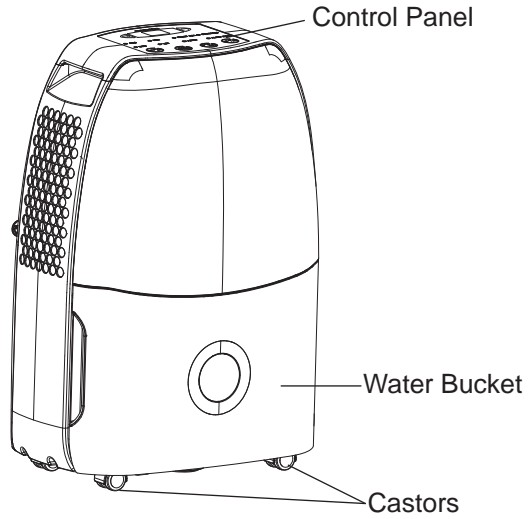


### Note:

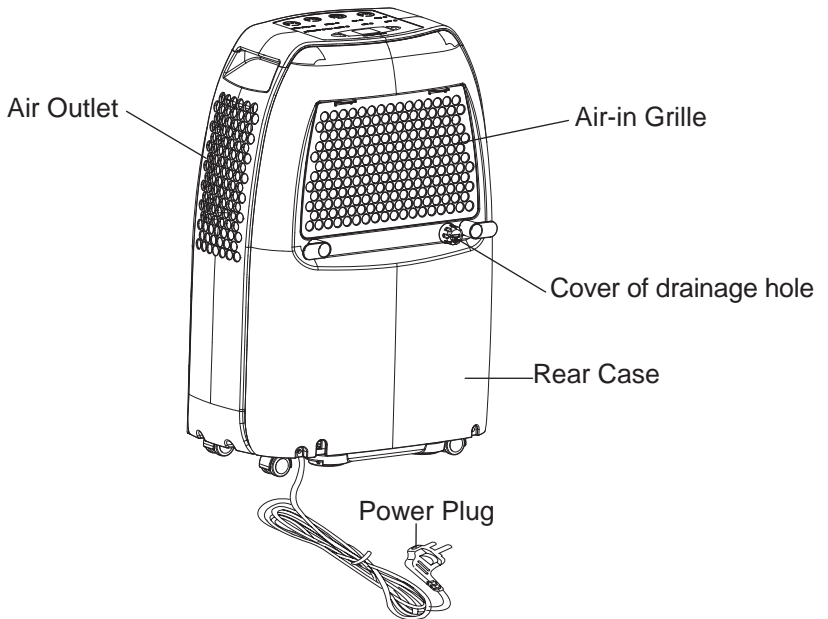
The dehumidifier has rollers to aid placement. Do not attempt to roll the dehumidifier on carpet or over objects. Otherwise, water may spill out from the bucket or the dehumidifier may get stuck by the objects.

# Parts Name

## Front Side



## Back Side

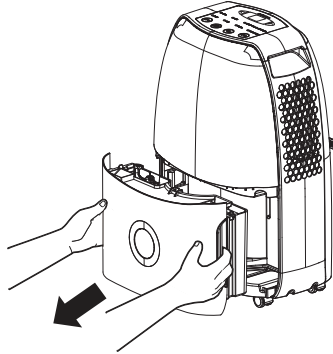


## Check Before Operation

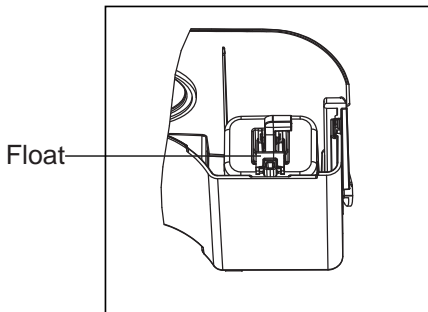
Before operation, please first check whether float is properly placed.

Below are the checking steps:

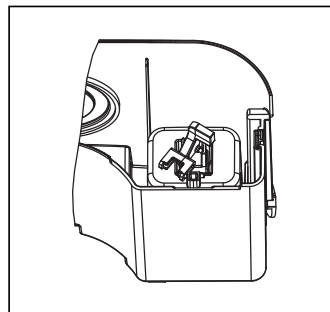
1. Hold the handles on both sides of the water bucket and pull it out following the arrow direction.



2. Check whether float in the water bucket is properly placed. It might have been moved a little after long-time transportation. If it's not placed properly, move it to the correct position by hand.



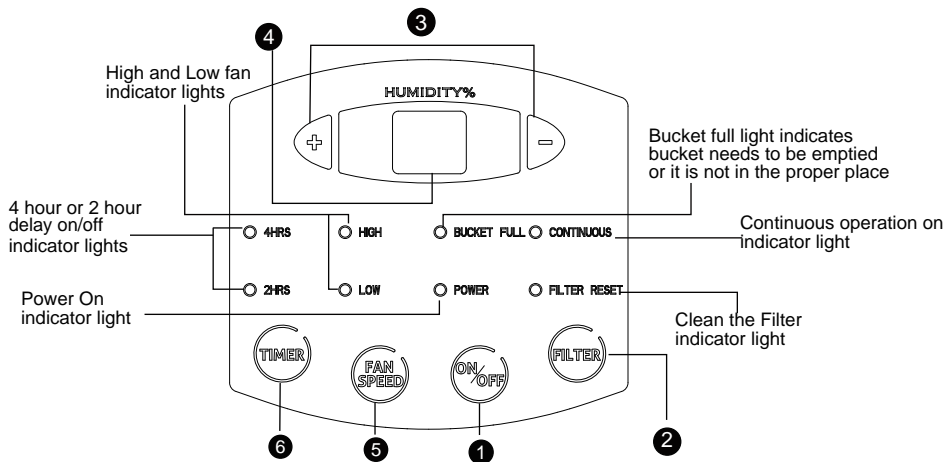
**Correct Position**



**Wrong Position**

3. Replace the bucket as instructed in step 1.

# Operation Method



NOTE: When the bucket is full or removed, the controls cannot be set.

## Basic Functions of the Buttons

### 1 ON/OFF Pad

Press to turn the dehumidifier on and off.

### 2 FILTER Pad

After 250 hours of operation, the Clean the Filter indicator light will glow to remind you to clean the filter. Remove the filter and clean it.

- Press to turn off the Clean the Filter light. See the Care and Cleaning section.

### 3 Humidity Set Control Pads

The humidity level can be set within a range of 80% RH (Relative Humidity) to 35% RH (Relative Humidity) in 5% reduce or at CO for continuous operation.

NOTE: If CO (Continuous) is selected, the dehumidifier will operate continuously at its maximum dehumidification settings if attached to a hose to drain or until the bucket is full.

- For drier air, press the - pad and set to a lower percent value (%).
- For damper air, press the + pad and set to a higher percent value (%).

- When you first use the dehumidifier, set the humidity control to 45% or 50%. Allow at least 24 hours for the dehumidifier to achieve the humidity level. If you still have damper air than desired, set the humidity level to a lower setting or select Continuous for maximum dehumidification. This unit has 3-min lag due to the device for protecting circuit. In order to prolong the compressor's working life, the compressor will not start until the unit has run for 3 minutes.

#### 4 Display

Shows the set % humidity level while setting, then shows the actual room % humidity level.

#### 5 FAN SPEED Pad

Controls the fan speed.

Press to select High or Low fan speed.

Set the fan control to High for maximum moisture removal. When the humidity has been reduced and quiet operation is preferred, set the fan control to Low.

#### 6 TIMER Pad

If unit is turned on and running in timer mode for 2hr or 4hr, can turn off the unit.

When unit stand by and running in timer mode for 2hr or 4hr can turn on the unit.

### Other Instructions

#### 1. Alarm Warning

If bucket is full or not locked into place for over 3min, buzzer will go off for 10s to remind you to empty bucket or put it back into the correct place.

#### 2. Auto Stop

When bucket is full, removed or not placed correctly or the humidity is 5% lower than the set humidity, unit will automatically stop.

#### 3. Memory Function

If power is lost, all of the control settings are remembered. So when power is restored, the unit will start back up in the settings it was in when power was lost.

#### 4. Bucket full light

This indicates that bucket is full or removed or not placed correctly.

#### 5. Clean the Filter On indicator light

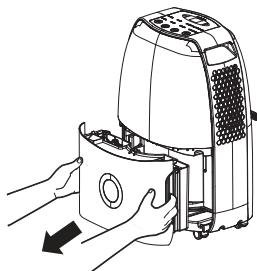
When dehumidifier has been operating for 250 hours, Filter Cleaning Indicator will be lit up to remind user of filter cleaning.

# Drainage Option

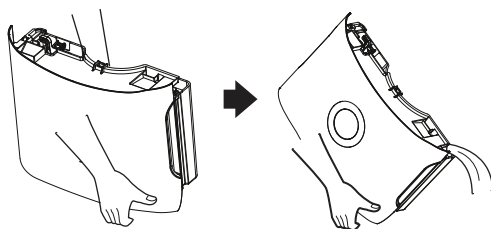
## Option 1 Emptying Manually

### Notes:

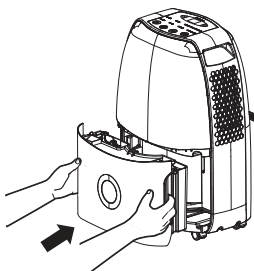
- Do not remove the bucket when unit is in operation or has just stopped. Otherwise it may cause some water to drip on the floor.
  - Do not use the hose if using water bucket to collect water. When the hose is connected, water will be drained out through it instead of into the bucket.
1. Hold the handles on both sides of the water bucket and pull it out following the arrow direction. (Attention: Pull out the bucket carefully in case the water may spill out from the bucket and onto the floor.)



2. Empty the bucket by grasping the handle on the top of bucket with one hand and grasping the bottom of bucket with the other hand.

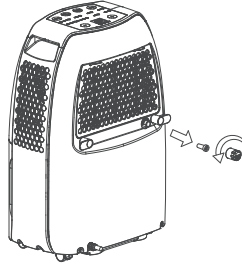


3. Replace bucket in the dehumidifier according to the arrow direction.

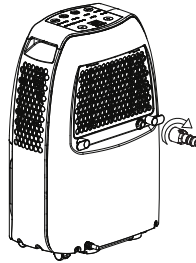


## Option 2 Gravity Drain Hose

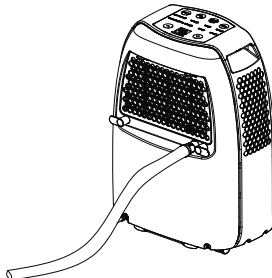
1. Hose is not provided, so user shall prepare it in advance.  
[Size: The hose should have an inner diameter of 14mm]
2. Use a hose. Water can be automatically emptied into a floor drain by attaching 14mm inner diameter hose (not included).
  - 1) Remove the continuous drain cap 1 by turning it counter clockwise then remove the rubber stopper 2 from the spout.



- 2) Screw the drain connector to (included in the package) the spout by turning clockwise.



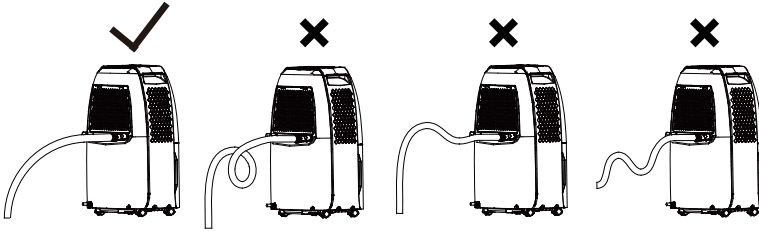
- 3) Insert the drainage hose into drain connector.



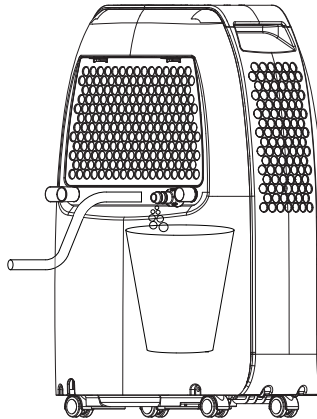


## Option 2 Gravity Drain Hose

3. When using continuous drainage option, place dehumidifier on a level surface and make sure garden hose is clear of any obstructions and is directed downward. Press down drain door so it rests on top of the hose. Placing dehumidifier on an uneven surface or improper hose installation may result in water filling up the bucket and causing the unit to shut off. Empty water bucket if shut off occurs, then check dehumidifier location and hose for proper setup.



**Note:** When you want to take off the drain hose, prepare a receptacle to collect water from the nozzle.



# Clean and Maintenance

## Warning:

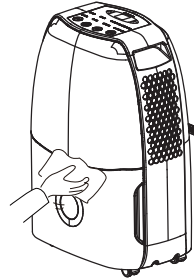
- Before cleaning, turn off the dehumidifier and disconnect power. Otherwise it may lead to electric shock.
- Do not wash the dehumidifier with water, or it may lead to electric shock.
- Do not use volatile liquid(such as thinner or gasoline) to clean dehumidifier. Otherwise it will damage unit's appearance.

## 1. Grille and Case

To clean the case:

When there is dust on the case, use soft towel to dust it off; When the case is very dirty(greasy), use mild detergent to clean it.

To clean the grille:Use a dust catcher or brush.



## 2. Air Filter

The air filter should be checked and cleaned at least every 250 hours of operation or more often if necessary.

After 250 hours of operation, the Clean the Filter indicator light will glow to remind you to clean the filter. Remove the filter and clean it. Replace the filter and press the Filter RESET pad to turn off the Clean the Filter light.

To remove:

Press the two buttons, then pull out the filter.

To clean:

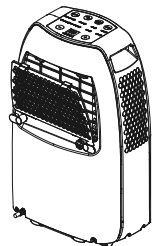
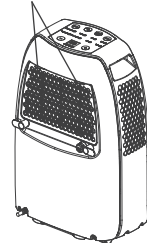
Clean the filter with warm, soapy water. Rinse and let the filter dry before replacing it.

To install:

Put the filter back into the dehumidifier.

NOTE: DO NOT rinse or put the filter in an automatic dishwasher.

Buttons



NOTE: Avoid using a dishwasher to clean the filter.

## Warning:

- Do not operate the dehumidifier without a filter. Otherwise the evaporator will catch dust and affect unit's performance.
- Do not dry the air filter with fire or electric hair dryer. Otherwise the air filter may be unshaped or caught on fire.
- Don't use dust catcher or brush to clean the air filter. Otherwise the air filter may be destroyed

## **Check Before Use-season**

- Check whether air outlet is blocked.
- Check whether power plug and power socket are in good condition.
- Check whether air filter is clean.
- Check whether drain hose is damaged.

## **Care After Use-season**

- Disconnect power.
- Clean air filter and case.
- Clean dust and obstacle of the dehumidifier.
- Empty the water bucket.

## **Long-time Storage**

If you won't use the dehumidifier for a long time, we suggest that you follow the steps below in order to maintain the unit in good condition.

- Make sure the bucket is clear of water and drain hose is removed.
- Clean the unit and wrap it well to prevent the gathering of dust.

# Troubleshooting

- Not all the following problems are malfunctions.

Problem	Possible Causes
Dehumidifier is not operating. Controls can not be set.	<ul style="list-style-type: none"> <li>● Unit is operating in an area where temperature is higher than 35°C or lower than 5°C.</li> <li>● Bucket is full.</li> </ul>
Noise suddenly rises during operation.	<ul style="list-style-type: none"> <li>● Noise will rise if compressor has just started.</li> <li>● Power supply problem.</li> <li>● Unit is placed on uneven floor.</li> </ul>
Humidity does not drop.	<ul style="list-style-type: none"> <li>● Area to be dehumidified is too large. The capacity of your dehumidifier may not be adequate.</li> <li>● Doors are open.</li> <li>● There might be some device producing vapor in the room.</li> </ul>
Little or no effect in dehumidifying	<ul style="list-style-type: none"> <li>● Room temperature is too low.</li> <li>● Humidity level may be improperly set.</li> <li>● If unit is operating in a room where temperature is from 5 to 15 °C, it will start to defrost automatically. Compressor will stop for a brief period of time(fan will operate in high fan speed). When unit finishes defrosting, it will be back to normal operation.</li> </ul>
When first operated, the air emitted has musty-odor.	<ul style="list-style-type: none"> <li>● Due to temperature rising of heat exchanger, the air may have some strange smell at the beginning.</li> </ul>
Unit has noise.	<ul style="list-style-type: none"> <li>● There might be some noise if unit is operating on wooden floor.</li> </ul>
Swooshing sound is heard.	<ul style="list-style-type: none"> <li>● Normal. This is the sound of the flow of refrigerant.</li> </ul>

- Problem of Water Leakage.

Problem	Possible Causes	Solution
When using drain hose, there is water in the bucket.	<ul style="list-style-type: none"> <li>● Examine the drainage joint.</li> </ul>	<ul style="list-style-type: none"> <li>● Connect the drainage joint well.</li> </ul>
	<ul style="list-style-type: none"> <li>● Drain hose is not correctly installed.</li> </ul>	<ul style="list-style-type: none"> <li>● Clear the obstacle from the drain hose.</li> <li>● Remove the drain hose and replace it. Be sure that the hose is correctly installed.</li> </ul>

● Dehumidifier does not start.

<b>Problem</b>	<b>Possible Causes</b>	<b>Solution</b>
Power indicator is not lit when power is connected.	<ul style="list-style-type: none"> <li>● Power is not supplied for the dehumidifier or the power plug is not well inserted.</li> </ul>	<ul style="list-style-type: none"> <li>● Check if power is lost. If yes, wait for the power to restore.</li> <li>● If not, check whether the power circuit or power socket has been damaged.</li> <li>● Check whether power plug is loosen.</li> <li>● Check whether power cord is damaged.</li> </ul>
	<ul style="list-style-type: none"> <li>● Fuse is blown.</li> </ul>	<ul style="list-style-type: none"> <li>● Replace the fuse.</li> </ul>
Bucket full indicator is lit up.	<ul style="list-style-type: none"> <li>● Bucket is not properly placed.</li> <li>● Water is full in the bucket.</li> <li>● Bucket has been removed.</li> </ul>	<ul style="list-style-type: none"> <li>● Empty the bucket and replace it.</li> </ul>
Unit can function normally but it can not start up.	<ul style="list-style-type: none"> <li>● Humidity is set too high.</li> </ul>	<ul style="list-style-type: none"> <li>● If you want the air drier, press - button to lower the figure or press CO button for unit to dehumidify continuously.</li> </ul>

● Dehumidifier does not dry air as intended.

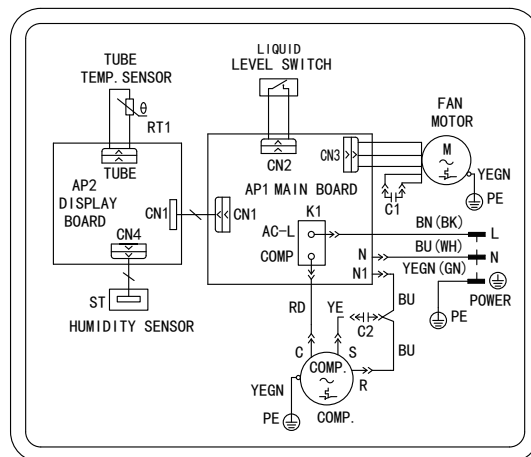
Bad dehumidifying performance	<ul style="list-style-type: none"> <li>● Check whether there is any obstacle around the unit.</li> </ul>	<ul style="list-style-type: none"> <li>● Make sure there is no curtain, shutter or furniture that blocks the dehumidifier.</li> </ul>
	<ul style="list-style-type: none"> <li>● Air filter is dusty and blocked.</li> </ul>	<ul style="list-style-type: none"> <li>● Clean the filter.</li> </ul>
	<ul style="list-style-type: none"> <li>● Doors and windows are left open.</li> </ul>	<ul style="list-style-type: none"> <li>● Make sure all doors and windows and other opening to the outside have been closed.</li> </ul>
	<ul style="list-style-type: none"> <li>● Room temperature is too low.</li> </ul>	<ul style="list-style-type: none"> <li>● Warm temperature is good for dehumidification. Low temperature will reduce unit's working effect. This unit should be working in a place where temperature is above 5°C.</li> </ul>

# Malfunction Codes

## ● Unit's Malfunction Codes

No.	Malfunction Name	Display Code	Unit's Condition	Possible Causes
		Display Window		
1	Ambient temperature sensor malfunction	F1	Compressor and fan motor stop. This button is invalid.	● Ambient temperature sensor is loosen or is poorly connected with the terminal of display board.
				● Some element of display board may have been put upside down and cause short circuit.
				● Ambient temperature sensor is damaged(Please refer to checking table for temperature sensor resistance).
				● Display board is damaged.
2	Tube temperature sensor malfunction	F2	Compressor and fan motor stop. This button is invalid.	● Temperature sensor on the evaporator is loosen or is poorly connected with the terminal of display board.
				● Some element of display board may have been put upside down and cause short circuit.
				● Temperature sensor on the evaporator is damaged(Please refer to checking table for temperature sensor resistance).
				● Display board is damaged.
3	Humidity sensor malfunction	L1		<ul style="list-style-type: none"> <li>● Humidity sensor is short-circuited.</li> <li>● Humidity sensor is damaged.</li> <li>● Display board is damaged.</li> </ul>

No.	Malfunction Name	Display Code	Unit's Condition	Possible Causes
		Display Window		
4	Freon-lacking protection	F0	Compressor stops operation. 30s later, the fan will also stop operation.	<ul style="list-style-type: none"> <li>● Refrigerant is leaking.</li> <li>● System is blocked.</li> </ul>
5	High-temperature over load protection	H3		<ul style="list-style-type: none"> <li>● Ambient operation condition is bad.</li> <li>● The evaporator and condenser are blocked with filth.</li> <li>● The system is abnormal.</li> </ul>



Designed by Cooper&Hunter International Corporation, Oregon, USA

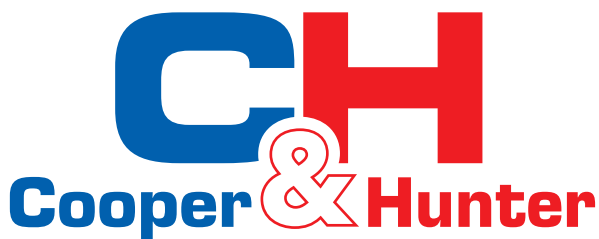
[www.cooperandhunter.com](http://www.cooperandhunter.com)

**E-mail: [info@cooperandhunter.com](mailto:info@cooperandhunter.com)**

\* Cooper & Hunter is constantly working to improve their products, so the information in this manual is subject to change without prior notice.



# **RU** РУКОВОДСТВО ПОЛЬЗОВАТЕЛЯ



**Осушитель**



**МОДЕЛЬ: CH-D005WD2-12LD  
CH-D008WD2-16LD**

Благодарим вас за выбор продукции Cooper&Hunter. Перед использованием, пожалуйста, прочтите данное руководство и храните его для правильной эксплуатации осушителя.

Designed by Cooper&Hunter International Corporation, Oregon, USA  
[www.cooperandhunter.com](http://www.cooperandhunter.com)

# Содержание

## Эксплуатационные указания

---

- Хдадагент. ....1
- Меры безопасности.. ....2
- Рабочая область.. ....3
- Наименование компонентов.. ....4
- Проверка перед эксплуатацией.....5

## Эксплуатационная инструкция

---

- Режимы работы .....6
- Способы слива .....8

## Обслуживание

---

- Чистка и обслуживание. ....11

## Неисправности

---

- Устранение неполадок . . . . . 13
- Коды ошибок . . . . . 15

**Примечание:**

Рисунки, в настоящем, руководстве носят исключительно описательный характер. Пожалуйста, обратитесь к фактической продукции за конкретными деталями.

## Объяснение символов

### ОПАСНОСТЬ

Указывает на опасную ситуацию, которая, если ее не избежать, приведет к смерти или серьезной травме.

### ПРЕДУПРЕЖДЕНИЕ

Указывает на опасную ситуацию, которая, если ее не избежать, может привести к смерти или серьезной травме.

### ВНИМАНИЕ!

Указывает на опасную ситуацию, которая, если ее не избежать, может привести к травмам.

### УВЕДОМЛЕНИЕ

Обозначает важную, но не связанную с опасностью информацию, используемую для указания риска повреждения имущества.



Указывает на опасность, которая указывается символами ПРЕДУПРЕЖДЕНИЕ или ВНИМАНИЕ.

## Исключения

**Производитель не несет ответственности при получении травмы или утрате имущества вызванными следующими причинами.**

1. Повреждение изделия, в следствии его неправильного использования и применения;
2. Использование изделий, без учёта требований правил эксплуатации;
3. Если дефект продукции вызван воздействием агрессивного газа;
4. Обнаружение дефекта, в следствии неправильной транспортировки;
5. В случае эксплуатации, ремонта, обслуживания устройства, при несоблюдении правил эксплуатации;
6. В случае если проблема и спорная ситуация вызваны качеством или эксплуатационные особенности частей и компонентов изделий выпущены сторонними производителями;
7. В случае, если повреждение вызвано естественными причинами или форс-мажорной ситуацией.



Устройство заполнено горючим газом R290.



Перед использованием прибора ознакомьтесь с руководством пользователя.



Перед установкой прибора, сначала, прочтите руководство по эксплуатации.



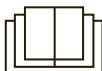
Перед ремонтом прибора сначала прочтите руководство по обслуживанию.

## Хладагент

- Для реализации функции осушителя в системе циркулирует специальный хладагент. Используемый хладагент представляет собой специально очищенный пропан R290. Хладагент является легковоспламеняющимся и без запаха. Кроме того, это может привести к взрыву при определенных условиях..
- По сравнению с обычными хладагентами R290 не загрязняет окружающую среду и не наносит вреда озоносфере.
- Влияние на парниковый эффект также низкий. R290 обладает очень хорошими термодинамическими характеристиками, которые приводят к действительно высокой энергоэффективности. Поэтому изделия требуют меньшей заправки хладагентом. Пожалуйста, обратитесь к паспортной табличке для количества заправки R290.

### ПРЕДУПРЕЖДЕНИЕ :

Изделие заполнено легковоспламеняющимся газом R290. Изделие должно быть установлено и эксплуатироваться в помещении более 4м<sup>2</sup>. Изделие должно храниться в помещении без источника непрерывного возгорания (открытый огонь, работающее газовое устройство или электронагреватель). Изделие должно храниться в хорошо проветренном помещении при комнатной температуре в соответствии с инструкцией по эксплуатации. Изделие должно храниться в целостности. Всегда держите устройство в проветриваемом помещении. Не разламывайте и не пытайтесь поджечь устройство. Помните что газ не имеет запаха. Для ускорения разморозки или очистки используйте только те процедуры, которые рекомендованы производителем. Обслуживание проводите сертифицированным мастером. В случае необходимости обратитесь в ближайший СЦ. Любая замена, выполненная неквалифицированным специалистом, может привести к опасности. Проверьте соответствие национальным стандартам по использованию газа. Прочтите инструкцию по эксплуатации .

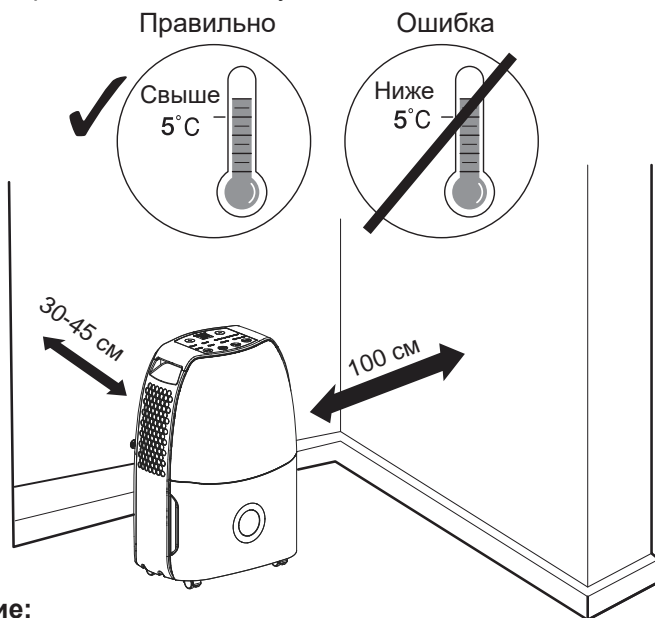


## Меры безопасности

- Данное устройство могут использовать дети от 8 лет и выше, лица с ограниченными физическими, зрительными или умственными способностями, или нехваткой опыта и знаний, если они делают это под присмотром или получили инструкции относительно безопасного использования устройства, понимают возможные опасности.
- Детям нельзя играть с устройством.
- Чистка и обслуживание детьми, без присмотра, запрещена.
- Перед началом работы, пожалуйста, проверьте шнур питания, если он соответствует требованиям, указанным на заводской табличке.
- Перед очисткой, пожалуйста, выключите осушитель и отсоедините его от сети.
- Убедитесь, что шнур питания не пережат твердыми предметами.
- Не вынимайте вилку шнура питания и не перемещайте устройство, потянув за шнур питания.
- Не используйте какие-либо нагревательные приборы вблизи осушителя.
- Не вынимайте вилку мокрыми руками.
- Пожалуйста, используйте заземленный кабель питания и убедитесь, что он плотно прилегает и не поврежден.
- Детям и людям с ограниченными возможностями запрещено использовать осушитель без присмотра.
- Не позволяйте детям играть или забираться на осушитель.
- Осушитель оснащен функцией памяти. Если никто не работает с устройством, пожалуйста, выключите его и выньте вилку шнура питания, или отключите питание.
- Не ремонтируйте и не разбирайте устройство самостоятельно.
- Поврежденный шнур питания должен быть заменен квалифицированным персоналом или изготовителем.
- Если возникают ненормальные условия (например, запах гари), пожалуйста, сразу отсоедините питание, а затем свяжитесь с местным дилером.
- Осушитель не подлежит утилизации. Если вы хотите избавиться от осушителя, пожалуйста, свяжитесь с местным пунктом утилизации или сервисным, чтобы получить информацию о дальнейших действиях.
- Не используйте удлинитель.
- Запрещено использовать осушитель в ванной комнате или в прачечной.
- Используйте в отдалении от источников пламени, горючих, взрывоопасных предметов.

## Рабочая область

- Осушитель предназначен только для использования внутри помещений. Он не применяется в коммерческих или промышленных условиях.
- Разместите осушитель на гладкий и ровный пол.
- Во время работы, прилегающее замкнутое помещение, например, кладовка, не может быть осушено.
- Обеспечьте 30-40 см пространства со всех сторон осушителя для хорошей циркуляции воздуха и 100 см в месте выдува воздуха.
- Разместите осушитель в месте, где температура не ниже 5°C и не выше 35°C
- Во время работы, пожалуйста, убедитесь, что вокруг устройства достаточно места.
- Закройте все двери, окна и другие внешние отверстия, чтобы улучшить эффективность работы устройства.
- Пожалуйста, держите воздухозаборник/воздуховод в чистоте и не заслоняйте их.
- Избегайте прямых солнечных лучей.



### Примечание:

- Осушитель имеет ролики для мобильного размещения. Не пытайтесь вращать осушитель на ковре или поверх объектов. В противном случае, вода может вылиться из емкости для конденсата или осушитель может застрять между объектами.
- Пожалуйста, прекратите работу, прежде чем переместить осушитель. Нельзя превышать угол наклона блока. Не перемещайте устройство вдоль переднего или заднего направления.

## Наименование компонентов

### Передняя сторона



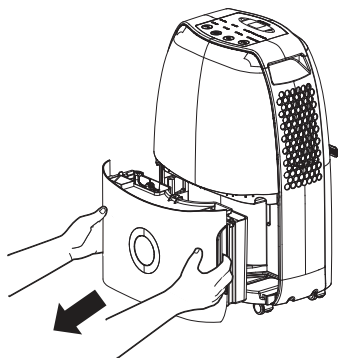
### Задняя сторона



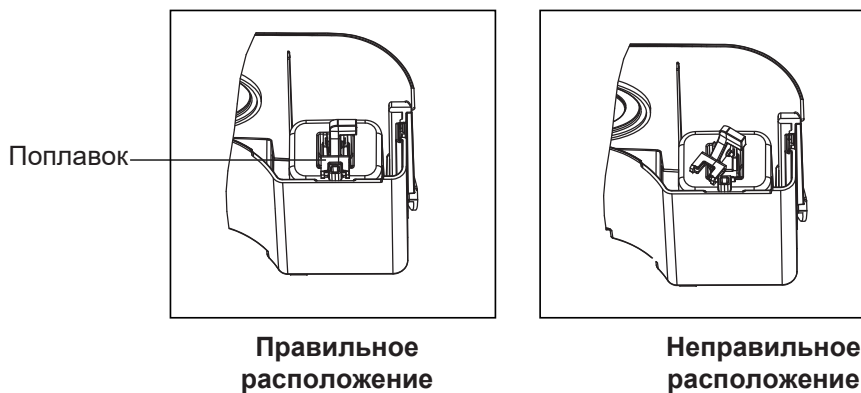
## Проверка перед эксплуатацией

Перед эксплуатацией проверьте правильность установки поплавка. Ниже приведены этапы проверки:

1. Возьмитесь за ручки с обеих сторон емкости для конденсата и вытащите по направлению стрелки.



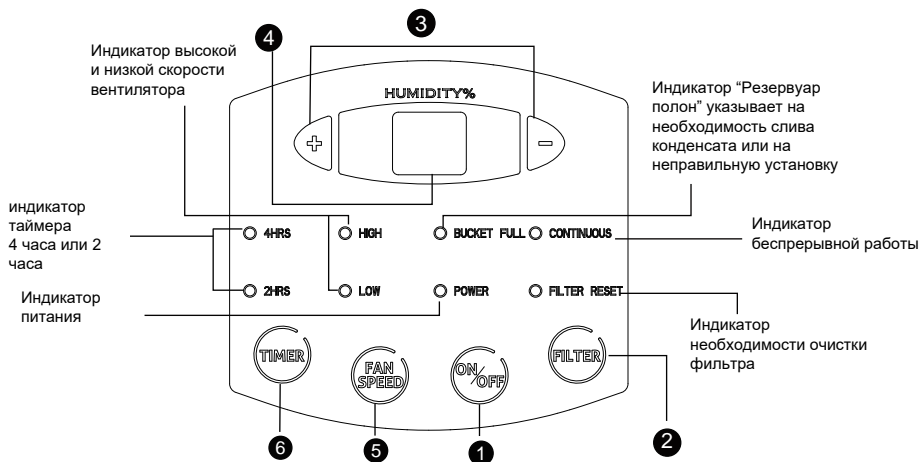
2. Слейте воду.



3. Установите емкость на место по направлению стрелки



# Управление осушителем



**ПРИМЕЧАНИЕ:** При заполненном или извлеченном резервуаре кнопки не работают.

## Основные функции кнопок

- 1 Питание**  
Нажмите для включения/выключения осушителя.
- 2 Таймер фильтра**  
Через 250 часов работы включается индикатор Filter Reset, указывая на необходимость очистки фильтра. Снимите и очистите фильтр. Нажмите для выключения индикатора Filter. См. раздел обл. и чистка.
- 3 Установка влажности**  
Уровень влажности можно устанавливать в диапазоне от 80% отн.влажности до 35% отн.влажности шагами по 5% либо CO для непрерывной работы.  
**Примечание:** если выбрана CO (непрерывная работа), осушитель работает постоянно на максимальных настройках осушения, если подключен сливной шланг или до заполнения резервуара. Для более сухого воздуха нажмите кнопку - и установите меньшее значение (%).

Для более влажного воздуха нажмите + и установите большее значение(%). При первом использовании осушителя установите влажность в пределах 45%-50%. Дайте поработать осушителю в течении 24 часов для достижения заданного уровня влажности. Если вам требуется более влажный воздух, установите необходимый процент влажности с помощью кнопок + - на дисплее. Для максимального осушения используйте режим "беспрерывная работа".

#### **4 Дисплей**

Дисплей показывает заданный (при настройках) или текущий уровень влажности в процентах, с точностью +-5%.

#### **5 Выбор скорости вентилятора**

Управляет скоростью вентилятора. Нажмите для выбора высокой или низкой скорости вентилятора. Установите режим вентилятора High для максимального удаления влаги. После снижения влажности, при необходимости бесшумной работы, выберите скорость вентилятора Low.

#### **6 Таймер**

При работе осушителя нажмите эту кнопку для автоматического выключения через 2-4 часа.

### **Другие инструкции**

#### **1. Предупреждение**

Когда резервуар заполнен или отсутствует более 3 минут, в течении 10 секунд звучит зумер, напоминая о необходимости слить конденсат или установить резервуар.

#### **2. Автоматическое выключение**

Датчик уровня воды отключает осушитель при заполнении бака или неправильной его установки, или при достижении влажности ниже 5% от установленной.

#### **3. Функция памяти**

Перезапуск с автоматическим сохранением настроек при сбое питания.

#### **4. Индикация заполнения резервуара**

Загорается при наполнении резервуара, либо при его неправильной установке.

#### **5. Очистка фильтра после загорания соответствующей индикации**

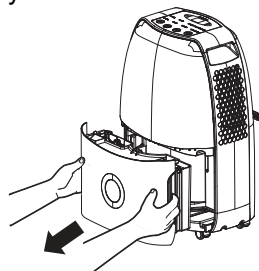
# Вариант дренажа

## Вариант 1 Слив ёмкости для конденсата

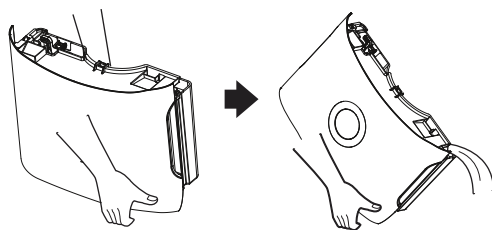
### Примечания:

Не вынимайте резервуар при работающем осушителе либо сразу после его остановки. Это может вызвать попадание воды вне поддона. Поддон должен быть правильно установлен на место для работы осушителя. Не используйте шланг при наличии резервуара для сбора воды. При подключенном шланге вода вытекает через него на пол, вместо отвода в поддон.

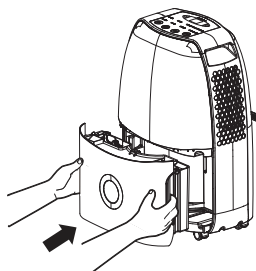
1. Если резервуар вынуть, осушитель отключиться.



2. Вылейте воду из резервуара, держа его двумя руками.



3. Установите его на место.



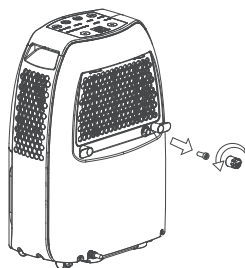
## Способ 2 Слив через дренажный шланг

1. Шланг не поставляется в комплекте с осушителем.

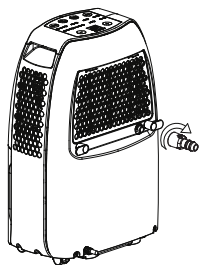
[Размер: Шланг должен иметь внутренний диаметр 14 мм]

2. Используйте дренажный шланг. Вода может сливаться в канализацию через дренажный шланг.

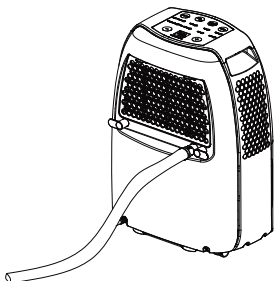
1) Открутите колпачок против часовой стрелки и удалите резиновую пробку.



2) Установите штуцер (входит в комплект), вращая его по часовой стрелке.

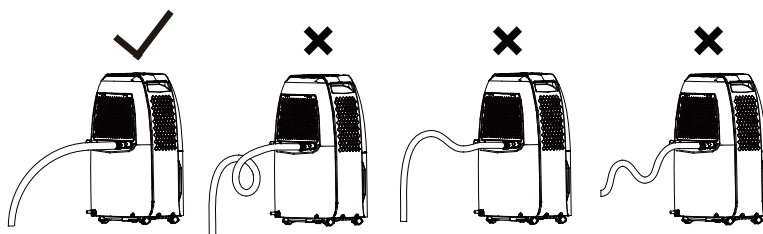


3) Закрепите сливной шланг на штуцере.



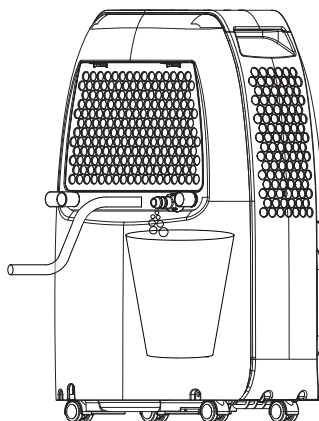
## Вариант 2 Гравитационный сливной шланг

3. Для обеспечения режима бесперебойной работы убедитесь, что в шланге нет препятствий для отвода воды, и осушитель установлен на ровной поверхности. При наличии затруднений отвода воды через шланг, резервуар заполнится водой, и осушитель автоматически отключится. В этом случае, слейте воду из резервуара и освободите проток воды через шланг.



### Заметка:

Если вы хотите снять сливной шланг, подготовьте емкость для сбора воды из форсунки.



## Обслуживание и чистка

### Осторожно:

Отключите осушитель и выньте вилку из розетки до начала чистки, удалите воду из бака, во избежание поражения электрическим током.

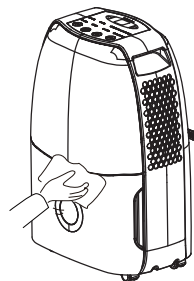
### 1. Решетки и корпус

Для чистки корпуса:

При наличии пыли, используйте мягкую ткань;

При сильном загрязнении (жир), используйте неагрессивные моющие средства.

Для чистки решетки: используйте щетку или пылесос



### 2. Воздушный фильтр

Воздушный фильтр следует очищать не менее одного раза каждые 250 часов работы.

Через 250 часов работы включается индикатор Filter Reset, указывает на необходимость очистки фильтра. Снимите и очистите фильтр.

Установите фильтр и нажмите кнопку Filter для отключения индикатора.

### Для снятия фильтра:

Для извлечения фильтра нажмите фиксирующие кнопки, откиньте внешнюю решетку и выньте фильтр.

### Для очистки:

Очищайте фильтр теплой мыльной водой.

Промойте фильтр и дайте ему просохнуть перед заменой.

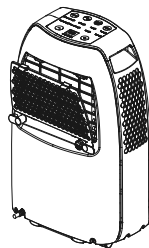
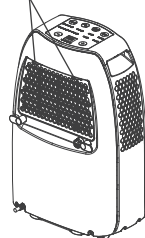
### Предупреждение:

Не используйте осушитель без фильтра, в противном случае, изделие забьется пылью, что повлияет на работу осушителя.

Не сушите воздушный фильтр феном, в противном случае фильтр потеряет форму или загорится.

Не используйте пылесос или щетку для чистки воздушного фильтра. Фильтр может повредиться от этого.

Решетка



Не мойте фильтр в посудомоечной машине.

## Предсезонная проверка

- Проверьте наличие свободного доступа к воздуховоду.
- Проверьте состояние шнура питания и разъема для питания.
- Проверьте чистоту воздушного фильтра.
- Проверьте целостность сливного шланга.

## Уход по окончанию сезона

- Отключите питание.
- Очистите воздушный фильтр и блок
- Очистите осушитель от пыли и грязи.
- Вылейте содержимое емкости для конденсата.

## Длительное хранение

Если вы не будете пользоваться осушителем длительное время, мы рекомендуем вам следовать практическим советам ниже, чтобы сохранить устройство в хорошем рабочем состоянии.

- Убедитесь, что емкость пустая, а сливной шланг отсоединен.
- Отключите осушитель и упакуйте шнур питания.
- Очистите устройство, а затем упакуйте его хорошо для предотвращения попадания пыли.

## Устранение неполадок

- Не все следующие проблемы являются неисправностями.

Проблема	Возможные причины
Осушитель не работает. Он не реагирует на установки.	<ul style="list-style-type: none"> <li>● Устройство работает в помещении, где температура выше, чем 35 °С или ниже 5 °С.</li> <li>● Емкость для конденсата полная.</li> </ul>
Внезапно появляется шум во время работы	<ul style="list-style-type: none"> <li>● Шум появится вместе с началом работы компрессора.</li> <li>● Проблемы с электропитанием.</li> <li>● Устройство размещено на неровном полу.</li> </ul>
Влажность не уменьшается.	<ul style="list-style-type: none"> <li>● Площадь осушения слишком большая. Мощности вашего осушителя не хватает.</li> <li>● Открыты двери.</li> <li>● Рядом может быть какое-то устройство, которое производит пар.</li> </ul>
Мало ощутимый или вообще неощутимый эффект от работы осушителя	<ul style="list-style-type: none"> <li>● Комнатная температура слишком мала.</li> <li>● Уровень влажности неправильно выставлен.</li> <li>● Если устройство работает в комнате, где температура от 5 до 15 °С, оно начнет размораживать автоматически. Компрессор остановится в течение короткого периода времени (вентилятор будет работать на высокой скорости). Когда устройство закончило разморозку, оно продолжит работу в штатном режиме.</li> </ul>
При первом включении воздух на выходе имеет затхлый запах	<ul style="list-style-type: none"> <li>● Из-за повышения температуры теплообменника, воздух может иметь странный запах в начале работы.</li> </ul>
Устройство производит много шума.	<ul style="list-style-type: none"> <li>● Возможно появление шума, когда устройство размещено на деревянном полу</li> </ul>
Слышен свист.	<ul style="list-style-type: none"> <li>● Все нормально. Его издает поток охладителя</li> </ul>

- Проблемы утечки воды

Проблема	Возможные причины	Решение
При использовании сливного шланга в емкости накапливается вода.	<ul style="list-style-type: none"> <li>● Проверьте сливное соединение.</li> </ul>	<ul style="list-style-type: none"> <li>● Соедините шланг плотно.</li> </ul>
	<ul style="list-style-type: none"> <li>● Сливной шланг неправильно установлен.</li> </ul>	<ul style="list-style-type: none"> <li>● Прочистите шланг.</li> </ul>
	<ul style="list-style-type: none"> <li>● Сливной шланг неправильно установлен.</li> </ul>	<ul style="list-style-type: none"> <li>● Снимите сливной шланг и соедините его заново. Убедитесь, что шланг правильно соединен.</li> </ul>



● Сушитель не включается.

Проблема	Возможные причины	Решение
Индикатор питания не горит, когда устройство подключено к сети.	<ul style="list-style-type: none"> <li>Отсутствует питание или розетка плохо подключена.</li> </ul>	<ul style="list-style-type: none"> <li>Проверьте, отсутствует ли питание. Если да, ждите восстановления питания.</li> <li>Если ничего не происходит, проверьте, была ли повреждена цепь или розетка.</li> <li>Проверьте исправность вилки.</li> <li>Проверьте целостность шнура питания.</li> </ul>
	<ul style="list-style-type: none"> <li>Сгорел предохранитель</li> </ul>	<ul style="list-style-type: none"> <li>Замените предохранитель.</li> </ul>
Горит индикатор наполненности емкости.	<ul style="list-style-type: none"> <li>Емкость неправильно установлена.</li> <li>Емкость полная.</li> <li>Емкость отсутствует.</li> </ul>	<ul style="list-style-type: none"> <li>Опустошите емкость и поставьте ее на место.</li> </ul>
Устройство может функционировать нормально, но не может включиться.	<ul style="list-style-type: none"> <li>Установленный уровень влажности слишком высокий.</li> </ul>	<ul style="list-style-type: none"> <li>Если вам нужен осушитель, нажмите на кнопку, чтобы уменьшить значение или нажмите на другую кнопку для включения постоянного осушения.</li> </ul>

● Сушитель не работает должным образом

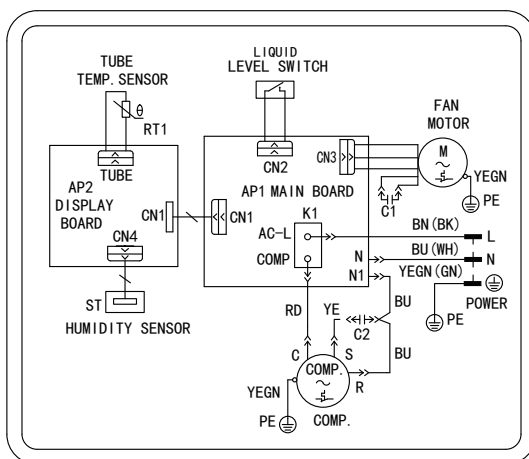
Недостаточное осушение	<ul style="list-style-type: none"> <li>Проверьте свободу пространства вокруг устройства.</li> </ul>	<ul style="list-style-type: none"> <li>Убедитесь, что шторы, мебель или другие предметы блокируют работу осушителя.</li> </ul>
	<ul style="list-style-type: none"> <li>Воздушный фильтр в пыли и забитый</li> </ul>	<ul style="list-style-type: none"> <li>Очистите фильтр</li> </ul>
	<ul style="list-style-type: none"> <li>Двери и окна открытые.</li> </ul>	<ul style="list-style-type: none"> <li>Убедитесь, что все двери и окна, другие открывающиеся наружу проемы, закрытые.</li> </ul>
	<ul style="list-style-type: none"> <li>Температура в помещении слишком низкая.</li> </ul>	<ul style="list-style-type: none"> <li>Теплая температура благоприятная для устройства. Низкая температура отрицательно повлияет на работу устройства. Устройство должно работать в месте, где температура выше 5 °С.</li> </ul>

## Коды ошибок

### • Коды неисправностей устройства

№	Описание неисправности	Код	Условия устройства	Возможные причины
		Дисплей		
1	Неисправность сенсора температура внешней среды	F1	Мотор компрессора и вентилятора остановились. Кнопка не работает.	<ul style="list-style-type: none"> <li>• Сенсор температуры окружающей среды отключен или плохо соединен с платой дисплея.</li> </ul>
				<ul style="list-style-type: none"> <li>• Некоторые элементы дисплея, возможно, сместились вниз и вызвали короткое замыкание.</li> </ul>
				<ul style="list-style-type: none"> <li>• Сенсор температуры поврежден (пожалуйста, обратитесь к Контрольной таблице для установления сопротивления сенсора температуры).</li> </ul>
				<ul style="list-style-type: none"> <li>• Плата дисплея повреждена.</li> </ul>
2	Неисправность лампового температурного сенсора	F2	Мотор компрессора и вентилятора остановились. Кнопка не работает.	<ul style="list-style-type: none"> <li>• Сенсор температуры на испарителе отключен или плохо соединен с платой дисплея.</li> </ul>
				<ul style="list-style-type: none"> <li>• Некоторые элементы дисплея, возможно, сместились вниз и вызвали короткое замыкание.</li> </ul>
				<ul style="list-style-type: none"> <li>• Сенсор температуры поврежден (пожалуйста, обратитесь к Контрольной таблице для установления сопротивления сенсора температуры).</li> </ul>
				<ul style="list-style-type: none"> <li>• Плата дисплея повреждена.</li> </ul>
3	Неисправность сенсора влажности	L1		<ul style="list-style-type: none"> <li>• Сенсор влажности замкнул.</li> <li>• Сенсор влажности поврежден.</li> <li>• Плата дисплея повреждена.</li> </ul>

№	Описание неисправности	Код	Условия устройства	Возможные причины
		Дисплей		
4	Система защиты от нехватки фреона	F0	Компрессор остановился; мотор вентилятора продолжает работать.	<ul style="list-style-type: none"> <li>• Вытекает хладагент.</li> <li>• Система засорена</li> </ul>
5	Защита от перегрузки	H3		<ul style="list-style-type: none"> <li>• Неподходящие условия окружающей среды.</li> <li>• Испаритель и конденсатор засорены.</li> <li>• Система имеет дефекты.</li> </ul>

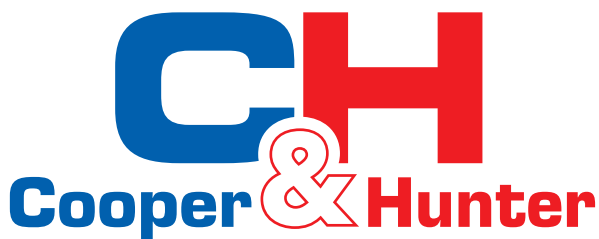


Designed by Cooper&Hunter International Corporation, Oregon, USA  
[www.cooperandhunter.com](http://www.cooperandhunter.com)

**E-mail: [info@cooperandhunter.com](mailto:info@cooperandhunter.com)**

\* Cooper&Hunter постоянно работает над улучшением своей продукции, поэтому информация приведенная в данном руководстве, может быть изменена без предварительного уведомления потребителей.

**UA** КЕРІВНИЦТВО КОРИСТУВАЧА



**ПОБУТОВИЙ ОСУШУВАЧ ПОВІТРЯ**



**МОДЕЛІ: CH-D005WD2-12LD  
CH-D008WD2-16LD**

Дякуємо вам за вибір продукції Cooper&Hunter.  
Перед використанням, будь ласка, прочитайте цей посібник і зберігайте його для правильної експлуатації осушувача.

Designed by Cooper&Hunter International Corporation, Oregon, USA  
[www.cooperandhunter.com](http://www.cooperandhunter.com)

# Зміст

## Експлуатаційні вказівки

---

- Холодоагент.....1
- Заходи безпеки.....2
- Робоча область.....3
- Найменування компонентів.....4
- Перевірка перед експлуатацією.....5

## Експлуатаційна інструкція

---

- Режими роботи.....6
- Способи зливу.....9

## Обслуговування

---

- Чистка і обслуговування.....11

## Несправності

---

- Усунення несправностей.....13
- Коди помилок .....15

**Примітка:**

Малюнки в цьому посібнику носять виключно описовий характер. Будь ласка, зверніться до фактичної продукції за конкретними деталями.

## Пояснення символів



### НЕБЕЗПЕКА

Вказує на небезпечну ситуацію, яка, якщо її не уникнути, призведе до смерті або серйозних травм.



### ПОПЕРЕДЖЕННЯ

Вказує на небезпечну ситуацію, яка, якщо її не уникнути, може призвести до смерті або серйозних травм.



### УВАГА!

Вказує на небезпечну ситуацію, яка, якщо її не уникнути, може призвести до травм.

### ПОВІДОМЛЕННЯ

Позначає важливу, але не пов'язану з небезпекою інформацію, використовувану для вказівки ризику пошкодження майна.



Вказує на небезпеку, яка позначається символами ПОПЕРЕДЖЕННЯ або УВАГА.

## Виключення

### **Виробник не несе відповідальності у разі отриманих травм або втрати майна з наступних причин.**

1. Пошкодження виробу в наслідку його неправильного використання та застосування;
2. Використання виробів з недотриманням вимог правил експлуатації;
3. Якщо дефект продукції викликаний впливом агресивного газу;
4. Виявлення дефекту в наслідок неправильного транспортування;
5. У випадку експлуатації, ремонту, обслуговування пристрою при недотриманні правил експлуатації;
6. У разі, якщо проблема і суперечна ситуація викликані якістю або експлуатацією окрему частин і компонентів виробу, які випущені сторонніми виробниками;
7. У разі, якщо пошкодження викликане природними причинами або форсмажорною ситуацією.



Пристрій заповнений паливим газом R290.



Перед використанням приладу ознайомтеся з інструкцією із експлуатації.



Перед встановленням приладу, спочатку, прочитайте інструкцію з експлуатації.



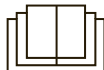
Перед ремонтом приладу, спочатку, прочитайте керівництво з обслуговування.

## Холодоагент

- Для реалізації функції осушувача у системі циркулює спеціальний холодоагент. Холодоагент, що використовується, є спеціально очищений пропан R290. Холодоагент є легкозаймистим і не має запаху. Крім того, це може призвести до вибуху при певних умовах.
- У порівнянні зі звичайними холодоагентами R290 не забруднює навколишнє середовище і не завдає шкоди озоносфері.
- Вплив на парниковий ефект також низький. R290 володіє дуже хорошими термодинамічними характеристиками, які призводять до дійсно високої енергоефективності. Тому виробники вимагають меншої заправки холодоагентом. Будь ласка, зверніться до паспортної таблиці для кількості заправки R290.

### ПОПЕРЕДЖЕННЯ:

Виріб заповнено легкозаймистим газом R290. Виріб повинен бути встановлений і експлуатуватися у приміщенні більш 4м<sup>2</sup>. Виріб повинен зберігатися в приміщенні без джерела безперервного загоряння (відкритий вогонь, працюючий газовий пристрій або електронагрівач). Виріб повинен зберігатися у добре провітреному приміщенні, при кімнатній температурі, відповідно до інструкції по експлуатації. Виріб повинен зберігатися у цілісності. Завжди тримайте пристрій у провітрюваному приміщенні. Не ломайте і не намагайтеся підпалити пристрій. Пам'ятайте, що газ не має запаху. Для прискорення розморожування або очищення використовуйте тільки ті процедури, які рекомендовані виробником. Обслуговування проводьте сертифікованим майстром. У разі необхідності, зверніться до найближчого СЦ. Будь-яка заміна, виконана не відповідно кваліфікованим фахівцем, може привести до небезпеки. Перевірте відповідність національним стандартам з використання газу. Прочитайте інструкцію з експлуатації.



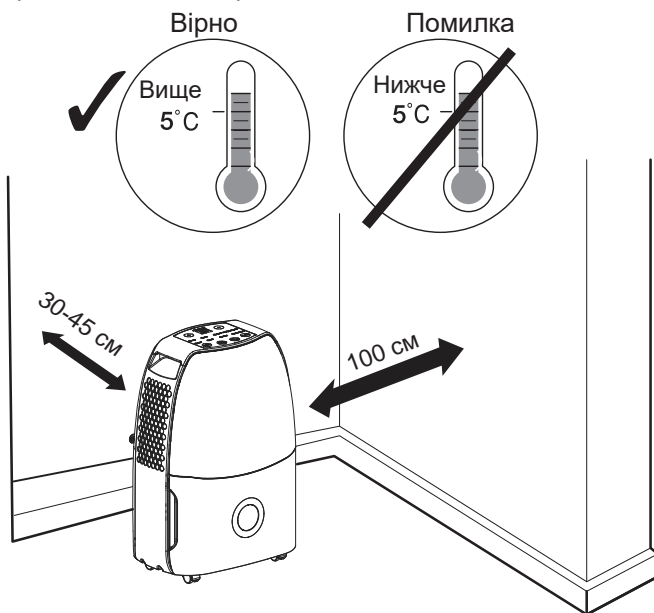


## Заходи безпеки

- Цей пристрій можуть використовувати діти віком від 8 років і вище, особи з обмеженими фізичними, сенсорними або розумовими здібностями, або нестачею досвіду і знань, якщо вони роблять це під наглядом або отримали інструкції щодо безпечного використання пристрою, розуміють можливі небезпеки.
- Дітям не можна гратися з пристроєм.
- Чистка і обслуговування дітьми без нагляду заборонена.
- Перед початком роботи, будь ласка, перевірте дрiт живлення, якщо він відповідає вимогам, зазначеним на таблиці.
- Перед очищенням, будь ласка, вимкніть осушувач і від'єднайте його від мережі.
- Переконайтеся, що дрiт живлення не пошкоджений твердими предметами.
- Не витягуйте дрiт живлення і не рухайте пристрій, потягнувши за дрiт живлення.
- Не використовуйте будь-які нагрівальні прилади поблизу осушувача.
- Не витягуйте вилку мокрими руками.
- Будь ласка, використовуйте заземлений кабель живлення і переконайтеся, що він щільно прилягає і не пошкоджений.
- Дітям і людям з обмеженими можливостями заборонено використовувати осушувач без нагляду.
- Не дозволяйте дітям гратися або забиратися на осушувач.
- Осушувач оснащений функцією пам'яті. Якщо ніхто не працює з пристроєм, будь ласка, вимкніть його і від'єднайте його, або вимкніть живлення.
- Не ремонтуйте і не розбирайте пристрій самостійно.
- Пошкоджений дрiт повинен бути замінений кваліфікованим персоналом або виробником.
- Якщо виникають ненормальні умови (наприклад, запах гару), будь ласка, відразу відключіть живлення, а потім зв'яжіться з місцевим дилером.
- Осушувач не підлягає будь-якій утилізації. Якщо ви хочете позбутися від осушувача, будь ласка, зв'яжіться з місцевим пунктом утилізації або сервісним центром, щоб отримати інформацію про подальші дії.
- Не використовуйте подовжувач.
- Заборонено використовувати осушувач у ванній кімнаті або в пральні.
- Використовуйте на віддалі від джерел полум'я, горючих, вибухонебезпечних предметів.

## Робоча область

- Осушувач призначений тільки для використання всередині приміщень. Він не застосовується в комерційних або промислових умовах.
- Встановіть осушувач на м'яку і рівну підлогу.
- Під час роботи, замкнуте приміщення, що прилягає, наприклад, комора, не може бути осушено.
- Забезпечте 30-40 см пространства з усіх боків осушувача для гарної циркуляції повітря і 100 см у місці видування повітря.
- Встановіть осушувач в місці, де температура не нижче 5°C та не вище 35°C
- Під час роботи, будь ласка, переконайтеся, що навколо пристрою достптно місця.
- Закрийте всі двері, вікна та інші зовнішні отвори, щоб поліпшити ефективність роботи пристрою.
- Будь ласка, тримайте повітрозабірник / повітропровід в чистоті і не закривайте їх.
- Уникайте прямих сонячних променів.



### Примітка:

- Осушувач має ролики для мобільного розміщення. Не намагайтеся обертати осушувач на килимі або поверх об'єктів. В іншому випадку вода може вилитися з ємності для конденсату, або осушувач може застрягти між об'єктами.
- Будь ласка, припиніть роботу, перш ніж перемістити осушувач. Не можна перевищувати кут нахилу блоку. Не рухайте пристрій вздовж переднього або заднього напрямки.

## Найменування компонентів

### Передня сторона



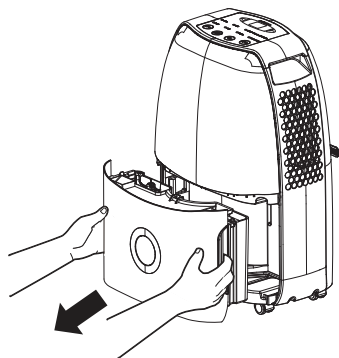
### Задня сторона



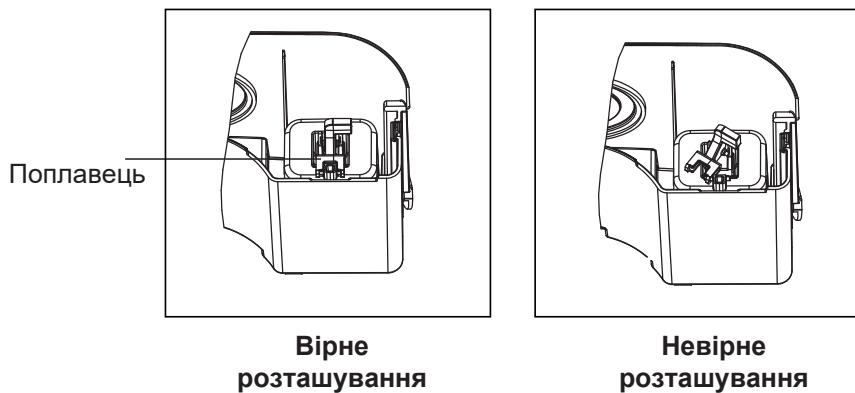
## Перевірка перед експлуатацією

Перед експлуатацією перевірте правильність установки поплавця  
Нижче наведені етапи перевірки:

1. Візьміться за ручки з обох сторін ємності для конденсату і витягніть у напрямку стрілки

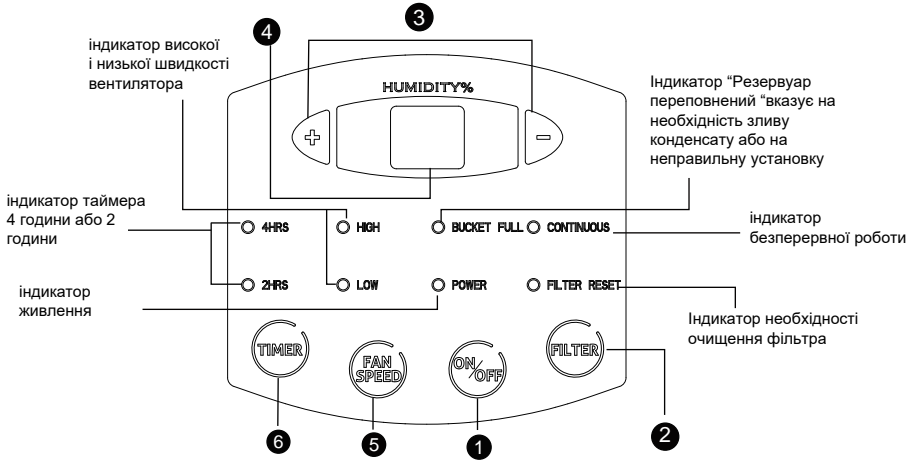


2. Злийте воду.



3. Встановіть ємність на місце за направленням стрілки.

# Управління осушувачем



**ПРИМІТКА:** При заповненому або витягнутому резервуарі кнопки не працюють.

## Основні функції кнопок

- 1 Живлення**  
Натисніть для вмикання / вимикання осушувача.
- 2 Таймер фільтру**  
Через 250 годин роботи включається індикатор Filter Reset, вказуючи на необхідність очищення фільтра. Зніміть і очистіть фільтр. Натисніть, щоб вимкнути індикатор Filter. див. розділ обл. і чистка.
- 3 Встановлення вологості**  
Рівень вологості можна встановлювати у діапазоні від 80% відн. вологості до 35% відн. вологості кроками по 5% або CO для безперервної роботи.  
**Примітка:** якщо обрана CO (безперервна робота), осушувач працює постійно на максимальних налаштуваннях осушення, якщо підключений зливний шланг або до заповнення резервуара. Для більш сухого повітря натисніть кнопку - та встановіть менше значення (%).

Для більш вологого повітря натисніть + і встановіть більше значення (%). При першому використанні осушувача, встановіть вологість у межах 45% -50%. Дайте попрацювати осушувачу протягом 24 годин, для досягнення заданого рівня вологості. Якщо вам потрібно більш вологе повітря, встановіть необхідний відсоток вологості за допомогою кнопок + - на дисплеї. Для максимального осушення використовуйте режим “безперервна робота”.

#### **4 Дисплей**

Дисплей показує заданий (під час налаштування) або поточний рівень вологості у відсотках, з точністю  $\pm 5\%$ .

#### **5 Вибір швидкості вентилятора**

Управляє швидкістю вентилятора. Натисніть для вибору високу або низьку швидкість вентилятора. Встановіть режим вентилятора High для максимального видалення вологи. Після зниження вологості, при необхідності безшумної роботи, виберіть швидкість вентилятора Low.

#### **6 Таймер**

При роботі осушувача натисніть цю кнопку для автоматичного вимкнення через 2-4 години.

### **Інші інструкції**

#### **1. Попередження**

Коли резервуар заповнений або відсутній більше 3 хвилин, протягом 10 секунд звучить зумер, нагадуючи про необхідність злити конденсат або встановити резервуар.

#### **2. Автоматичне вимкнення**

Датчик рівня води відключає осушувач, при заповненні баку або неправильній його установці, або при досягненні вологості нижче 5% від встановленої.

#### **3. Функція пам'яті**

Перезапуск з автоматичним збереженням налаштувань, при збої живлення.

#### **4. Індикація заповнення резервуара**

Загоряється при наповненні резервуара, або при його неправильній установці.

#### **5. Очищення фільтра після загоряння відповідної індикації**

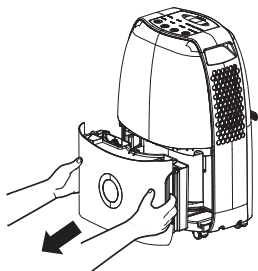
# Варіант дренажу

## Варіант 1 Злив ємності для конденсату

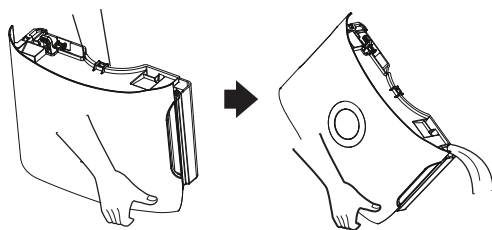
### Примітки:

Не витягуйте резервуар при працюючому осушувачі або відразу після його зупинки. Це може викликати попадання води повз піддон. Піддон повинен бути правильно встановлений на місце для роботи осушувача. Не використовуйте шланг, при наявності резервуару для збору води. При підключеному шланзі вода витікає через нього на підлогу, замість відводу у піддон.

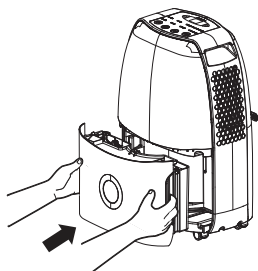
1. Якщо резервуар вийняти, осушувач відключиться.



2. Вилийте воду з резервуара, тримаючи його двома руками.



3. Встановіть його на місце.



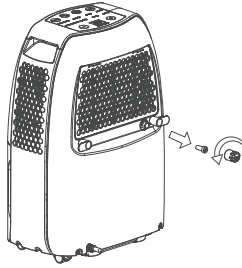
## Спосіб 2 Злив через дренажний шланг

1. Шланг не поставляється у комплекті з осушувачем.

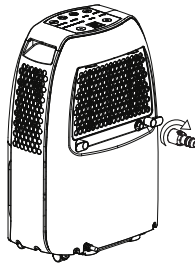
[Розмір: Шланг повинен мати внутрішній діаметр 14 мм]

2. Використовуйте дренажний шланг. Вода може зливатися у каналізацію через дренажний шланг.

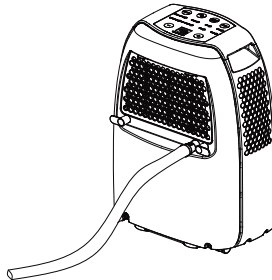
1) Відкрутіть ковпачок проти годинникової стрілки і видаліть гумову пробку.



2) Встановіть штуцер (входить у комплект), обертаючи його за годинниковою стрілкою.

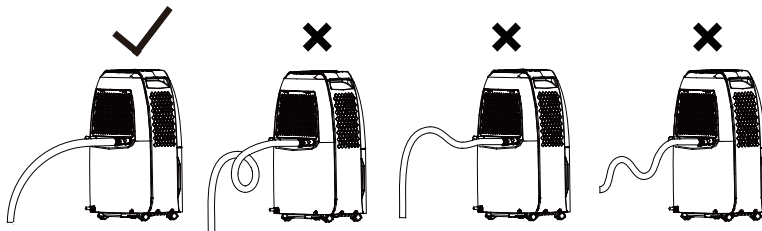


3) Закріпити зливний шланг на штуцері.



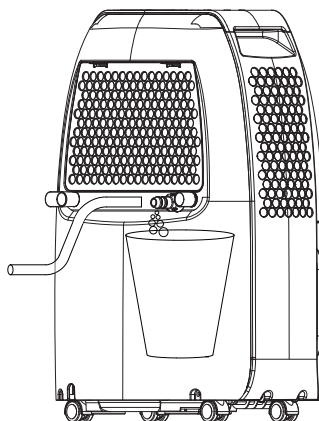


3. Для забезпечення режиму безперебійної роботи переконайтеся, що у шланзі немає перепон для відводу води і осушувач встановлений на рівній поверхні. При наявності труднощів відведення води через шланг, резервуар заповниться водою і осушувач автоматично відключиться. У цьому випадку злийте воду з резервуара і звільніть проток води через шланг.



**Замітка:**

Якщо ви хочете зняти зливний шланг, підготуйте ємність для збору води з форсунки.



## Обслуговування та чистка

### Обережно:

Вимкніть осушувач і вийміть вилку з розетки, до початку чищення, видаліть воду з бака для уникнення ураження електричним струмом.

### 1. Решеткі і корпус

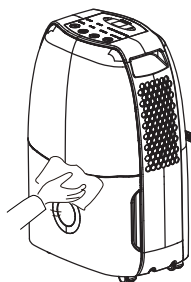
Щоб очистити корпус:

При наявності пилу, використовуйте м'яку тканину;

При сильному забрудненні (жир), використовуйте неагресивні миючі засоби.

#### Для чищення решітки:

використовуйте щітку або пилосос



### 2. Повітряний фільтр

Повітряний фільтр слід очищати не менш одного разу, кожні 250 годин роботи.

Через 250 годин роботи, включається індикатор Filter Reset, який вказує на необхідність очищення фільтра. Зніміть і очистіть фільтр. Встановіть фільтр і натисніть кнопку Filter для відключення індикатора.

#### Для зняття фільтра:

Для видалення фільтра натисніть які фіксують кнопки, відкиньте зовнішню решітку і вийміть фільтр.

#### Для очищення:

Очищуйте фільтр теплою мильною водою.

Промийте фільтр і дайте йому просохнути перед заміною.

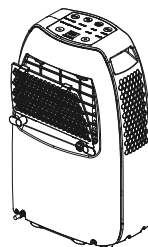
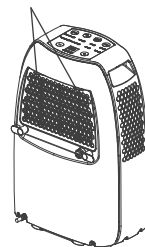
#### Попередження:

Не використовуйте осушувач без фільтра, в іншому випадку виріб заб'ється пилом, що вплине на роботу осушувача.

Не сушіть повітряний фільтр феном, в іншому випадку фільтр втратить форму або загориться.

Не використовуйте пилосос або щітку для чистки повітряного фільтра. Фільтр може пошкодитися від цього.

Решітка



Не мойте фільтр в посудомоечній машині.

## Передсезонна

- Перевірте наявність вільного доступу до воздуховоду.
- Перевірте стан дроту живлення і роз'єму для живлення.
- Перевірте чистоту повітряного фільтру.
- Перевірте цілісність зливного шлангу.

## Догляд після закінчення сезону

- Вимкніть.
- Очистіть повітряний фільтр і блок
- Очистіть осушувач від пилу і бруду.
- Вилийте вміст ємності для конденсату.

## Тривале зберігання

Якщо ви не будете користуватися осушувачем тривалий час, ми рекомендуємо вам слідувати практичним порадам нижче, щоб зберегти пристрій у хорошому робочому стані.

- Переконайтеся, що ємність порожня, а зливний шланг від'єднаний.
- Вимкніть осушувач і упакуйте дріт живлення.
- Очистіть пристрій, а потім упакуйте його добре для запобігання попадання пилу.

## Усунення несправностей

- Не всі такі проблеми є несправностями.

Проблема	Можливі причини
Осушувач не працює. Він не реагує на установки.	<ul style="list-style-type: none"> <li>• Пристрій працює у приміщенні, де температура вище, ніж 35°C або нижче 5°C.</li> <li>• Ємність для конденсату повна.</li> </ul>
Раптово з'являється шум під час роботи	<ul style="list-style-type: none"> <li>• Шум з'явиться разом з початком роботи компресора.</li> <li>• Проблеми з електроживленням</li> <li>• Пристрій розміщено на нерівній підлозі.</li> </ul>
Вологість не зменшується.	<ul style="list-style-type: none"> <li>• Площа осушення занадто велика. Потужності вашого осушувача не вистачає.</li> <li>• Відкриті двері.</li> <li>• Поруч може бути якийсь пристрій, який виробляє пар.</li> </ul>
Мало відчутний або взагалі невідчутний ефект від роботи осушувача	<ul style="list-style-type: none"> <li>• Кімнатна температура занадто мала.</li> <li>• Рівень вологості неправильно виставлений.</li> <li>• Якщо пристрій працює у кімнаті, де температура від 5 до 15°C, воно почне розморожувати автоматично. Компресор зупиниться протягом короткого періоду часу (вентилятор буде працювати на високій швидкості). Коли пристрій закінчив розмороження, воно продовжить роботу у штатному режимі.</li> </ul>
При першому включенні повітря на виході має затхлий запах	<ul style="list-style-type: none"> <li>• Через підвищення температури теплообмінника, повітря може мати дивний запах на початку роботи.</li> </ul>
Пристрій виробляє багато шуму	<ul style="list-style-type: none"> <li>• Можлива поява шуму, коли пристрій розміщено на дерев'яній підлозі</li> </ul>
Чути свист.	<ul style="list-style-type: none"> <li>• Все нормально. Його видає потік охолоджувача</li> </ul>

- Проблеми витoku води

Проблема	Можливі причини	Рішення
При використанні зливного шлангу в ємності накопичується вода	<ul style="list-style-type: none"> <li>• Перевірте зливне з'єднання.</li> </ul>	<ul style="list-style-type: none"> <li>• З'єднайте шланг щільно.</li> </ul>
	<ul style="list-style-type: none"> <li>• Зливний шланг неправильно встановлений.</li> </ul>	<ul style="list-style-type: none"> <li>• Прочистіть шланг.</li> </ul>
	<ul style="list-style-type: none"> <li>• Зливний шланг неправильно встановлений.</li> </ul>	<ul style="list-style-type: none"> <li>• Зніміть зливний шланг і з'єднайте його заново. Переконайтеся, що шланг правильно з'єднаний.</li> </ul>

● **Осушувач не включається**

<b>Проблема</b>	<b>Можливі причини</b>	<b>Рішення</b>
Світлодіод живлення не горить, коли пристрій підключено до мережі.	<ul style="list-style-type: none"> <li>● Відсутнє живлення або розетка погано підключена.</li> </ul>	<ul style="list-style-type: none"> <li>● Перевірте, відсутнє живлення. Якщо так, чекайте відновлення живлення.</li> <li>● Якщо нічого не відбувається, перевірте, чи був пошкоджений ланцюг або розетка.</li> <li>● Перевірте справність вилки.</li> <li>● Перевірте цілісність дроту живлення.</li> </ul>
	<ul style="list-style-type: none"> <li>● Згорів запобіжник</li> </ul>	<ul style="list-style-type: none"> <li>● Замініть запобіжник</li> </ul>
Горить індикатор наповненості ємності.	<ul style="list-style-type: none"> <li>● Ємність неправильно встановлена</li> <li>● Ємність повна.</li> <li>● Ємність відсутня.</li> </ul>	<ul style="list-style-type: none"> <li>● Зпустоште ємність і поставте її на місце.</li> </ul>
Пристрій може функціонувати нормально, але не може вмикання.	<ul style="list-style-type: none"> <li>● Встановлений рівень вологості занадто високий.</li> </ul>	<ul style="list-style-type: none"> <li>● Якщо вам потрібен осушувач, натисніть на кнопку, щоб зменшити значення або натисніть на іншу кнопку для вмикання постійного осушення.</li> </ul>

● **Осушувач не працює належним чином**

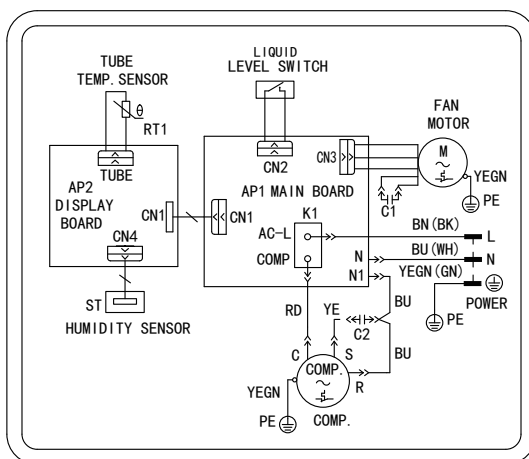
недостатнє осушення	<ul style="list-style-type: none"> <li>● Перевірте чи вільний простір навколо пристрою.</li> </ul>	<ul style="list-style-type: none"> <li>● Переконайтеся, що штори, меблі або інші предмети не блокують роботу осушувача.</li> </ul>
	<ul style="list-style-type: none"> <li>● Повітряний фільтр у пилу і забитий.</li> </ul>	<ul style="list-style-type: none"> <li>● Очистіть фільтр</li> </ul>
	<ul style="list-style-type: none"> <li>● Двері і вікна відкриті.</li> </ul>	<ul style="list-style-type: none"> <li>● Переконайтеся, що всі двері і вікна, інші отвори, які відкриваються назовні, закриті.</li> </ul>
	<ul style="list-style-type: none"> <li>● Температура у приміщенні занадто низька</li> </ul>	<ul style="list-style-type: none"> <li>● Тепла температура сприятлива для пристрою. Низка температура негативно вплине на роботу пристрою. Пристрій повинен працювати у місці, де температура вище 5°C.</li> </ul>

## Коди помилок

### • Коди несправностей пристрою

№	Опис несправності	Код	Умови пристрою	Можливі причини
		Дисплей		
1	Несправність сенсора температура зовнішнього середовища	F1	Мотор компресора і вентилятора зупинилися. Кнопка не працює.	<ul style="list-style-type: none"> <li>• Сенсор температури навколишнього середовища відключений або погано приєднаний до плати дисплею.</li> </ul>
				<ul style="list-style-type: none"> <li>• Деякі елементи дисплею, можливо, змістилися вниз і викликали коротке замикання.</li> </ul>
				<ul style="list-style-type: none"> <li>• Сенсор температури пошкоджено (будь ласка, зверніться до контрольної таблиці для встановлення опору сенсора температури).</li> </ul>
2	Несправність лампового температурного сенсору	F2	Мотор компресора і вентилятора зупинилися. Кнопка не працює.	<ul style="list-style-type: none"> <li>• Плата дисплею пошкоджена.</li> </ul>
				<ul style="list-style-type: none"> <li>• Сенсор температури на випарнику відключений або погано приєднаний до плати дисплею.</li> </ul>
				<ul style="list-style-type: none"> <li>• Деякі елементи дисплею, можливо, змістилися вниз і викликали коротке замикання.</li> </ul>
3	Несправності сенсору вологості	L1	Мотор компресора і вентилятора зупинилися. Кнопка не працює.	<ul style="list-style-type: none"> <li>• Сенсор температури пошкоджено (будь ласка, зверніться до контрольної таблиці для встановлення опору сенсору температури).</li> </ul>
				<ul style="list-style-type: none"> <li>• Плата дисплею пошкоджена.</li> </ul>
				<ul style="list-style-type: none"> <li>• Сенсор вологості замкнув.</li> <li>• Сенсор вологості пошкоджений.</li> <li>• Плата дисплею пошкоджена.</li> </ul>

№	Опис несправності	Код	Умови пристрою	Можливі причини
		Дисплей		
4	Система захисту від нестачі фреону	F0	Компресор зупинився; мотор вентилятору продовжує працювати.	<ul style="list-style-type: none"> <li>• Впливає холодоагент.</li> <li>• Система засмічена.</li> </ul>
5	Захист від перевантаження	H3		<ul style="list-style-type: none"> <li>• Невідповідні умови навколишнього середовища</li> <li>• Випарник і конденсатор засмічені.</li> <li>• Система має дефекти.</li> </ul>



Designed by Cooper&Hunter International Corporation, Oregon, USA

[www.cooperandhunter.com](http://www.cooperandhunter.com)

**E-mail: [info@cooperandhunter.com](mailto:info@cooperandhunter.com)**

\*Cooper&Hunter постійно працює над поліпшенням своєї продукції, тому інформація наведена в цьому посібнику, може бути змінена без попереднього повідомлення споживачів.